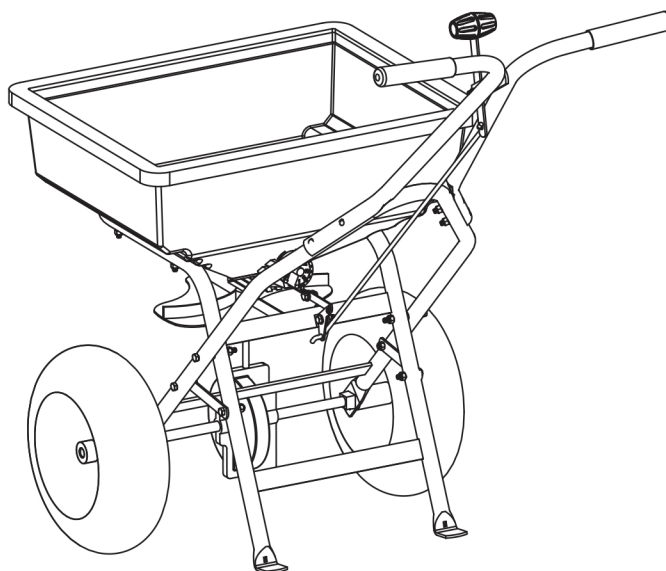




Operator's Manual

Model P60/S60 Series

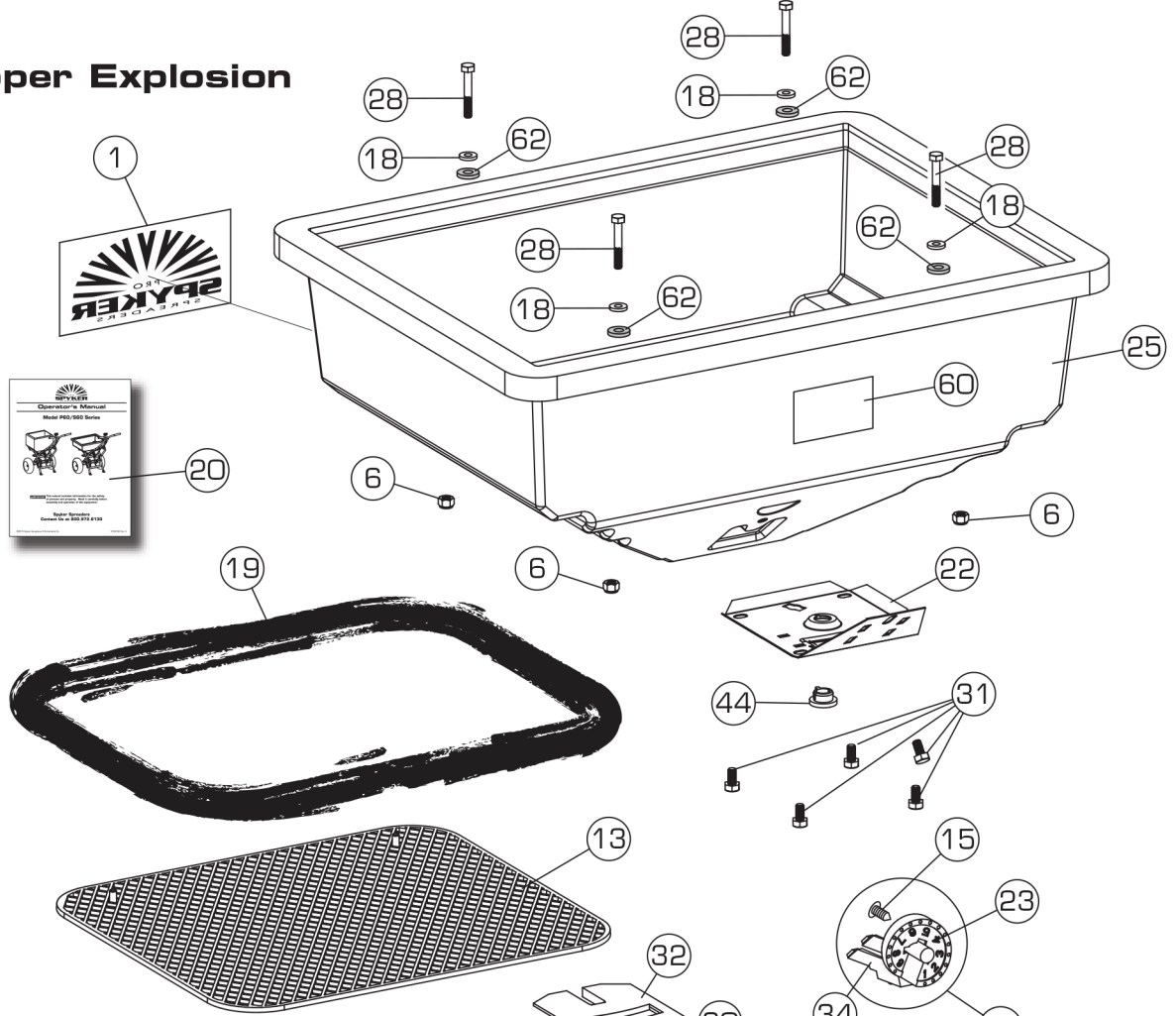


▲ IMPORTANT

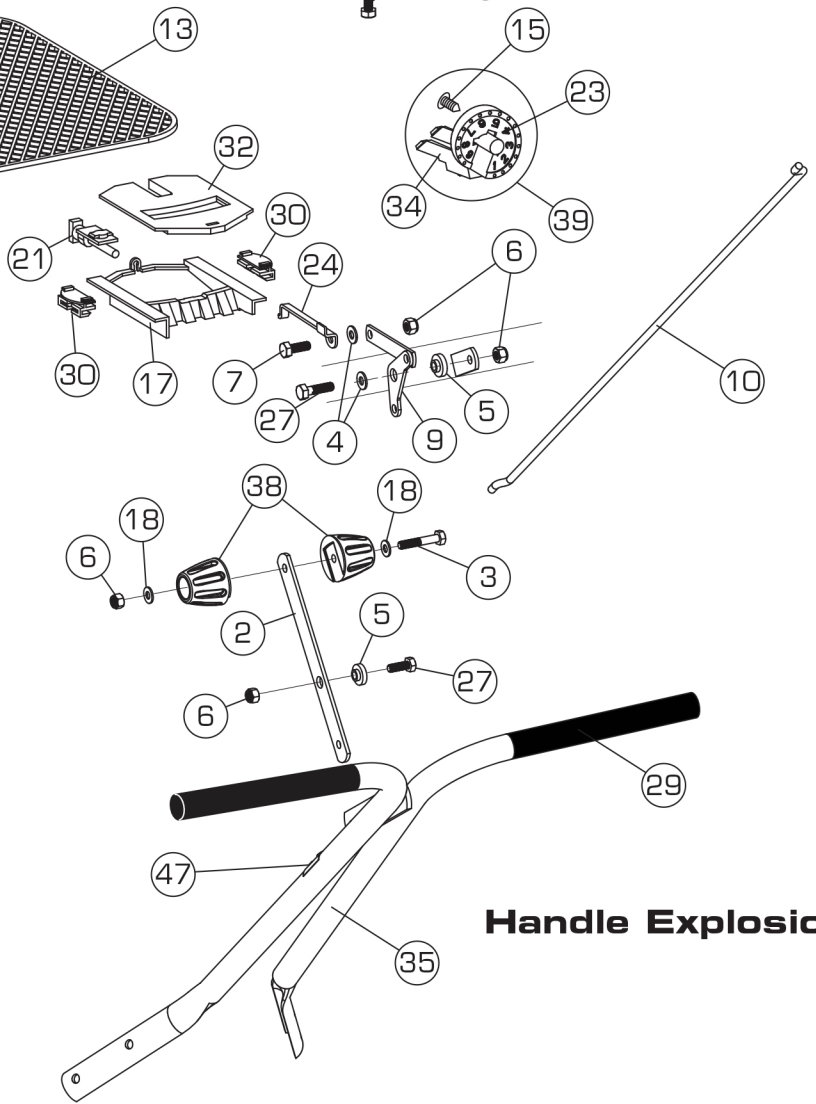
This manual contains information for the safety of persons and property. Read it carefully before assembly and operation of the equipment!

Spyker Spreaders
Contact Us at 800.972.6130

Hopper Explosion

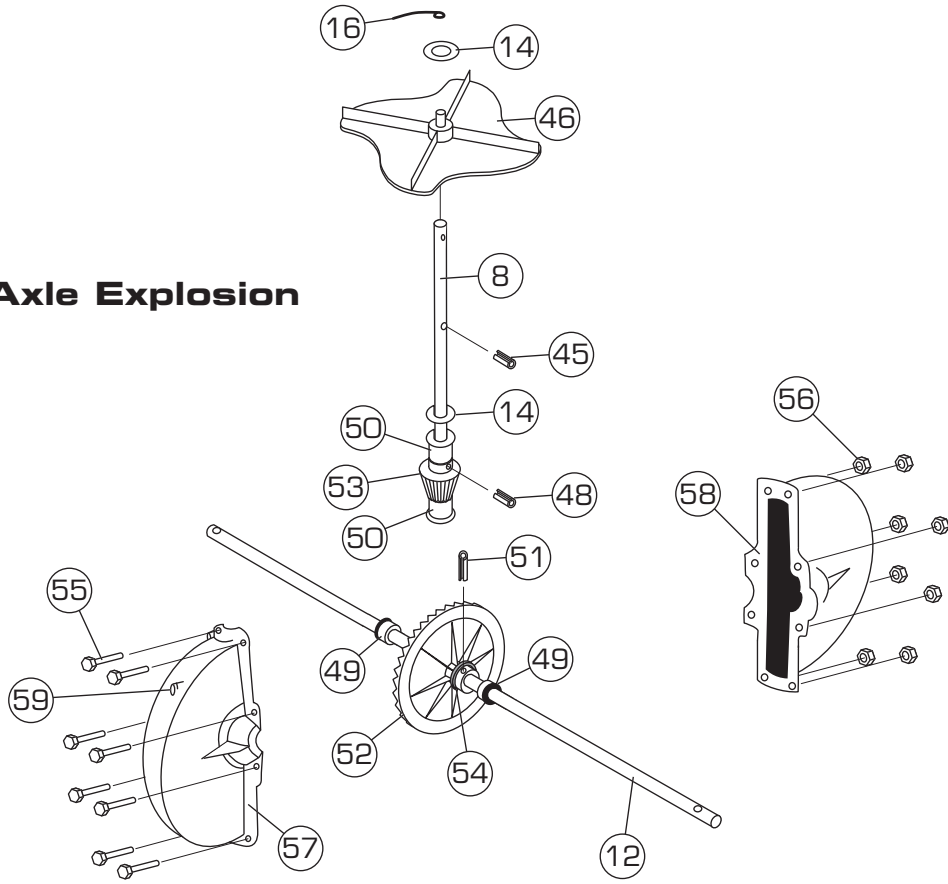


Rate Gate and Deflector Explosion

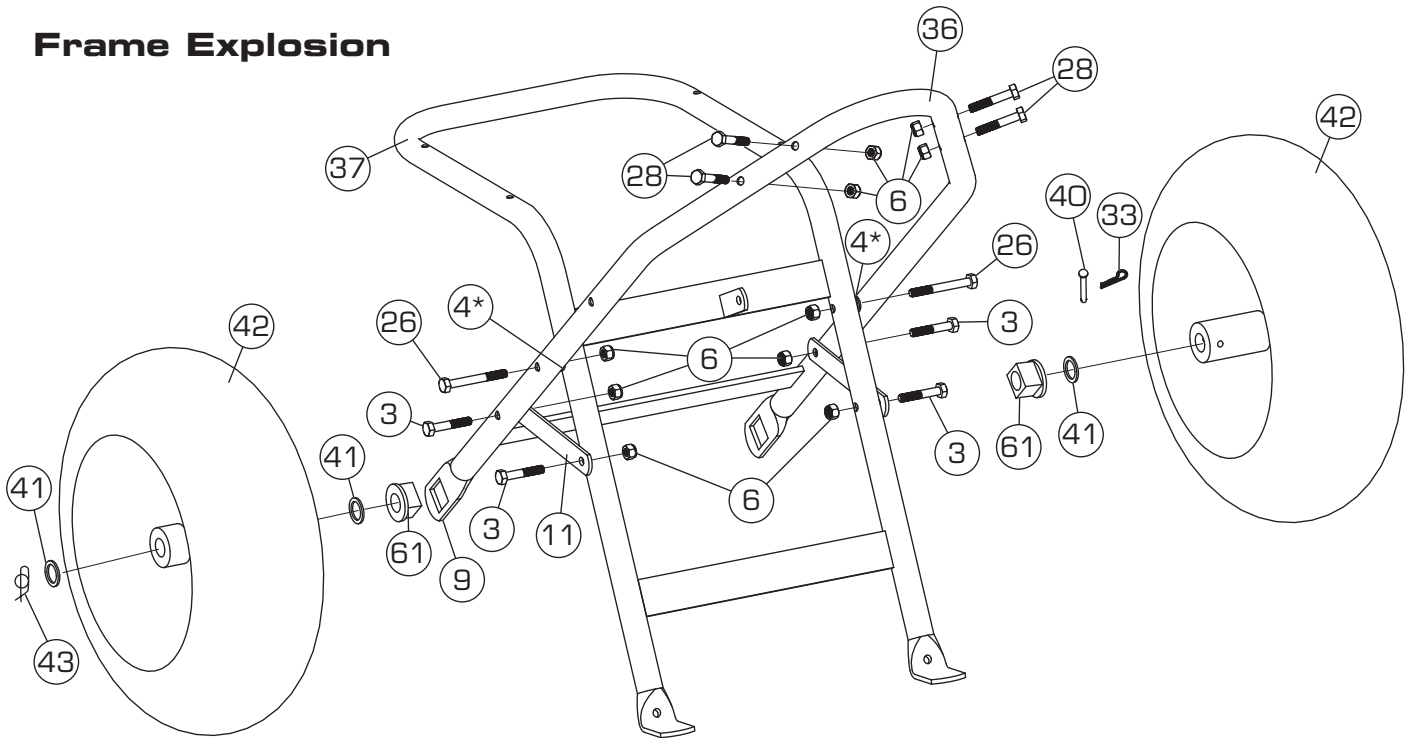


Handle Explosion

Spinner/Axle Explosion



Frame Explosion



*As needed for shimming

No.	Part Number	Qty	Description	No.	Part Number	Qty	Description
1	1008067	1	Decal Spyker Square Blue	32	05-94-0068	1	Rate Gate
2	1007773	1	Lever, Control	33	05-90-0102	1	Hair Pin, Small SS
3	05-90-0054	5	1/4-20 x 1-1/2" Hex Bolt, SS	34	05-94-0069	1	Dial Mount
4	05-92-0008	6	1/4" Washer, SS	35	1008083-10	1	Dual Handle Painted
5	05-94-0051	2	Nylon Flange Bushing		1008069-01	1	Dual Handle, SS
6	SS-91-0004	18	1/4-20 Nylon Locknut, SS	36	1008087-10	1	Axle Support Painted
7	05-90-0121	1	1/4-20 x 3/4" Hex Bolt, SS		1008072-01	1	Axle Support, SS
8	1008078	1	Spinner Shaft	37	1008090-10	1	Hopper Support Painted
9	1008079	1	Linkage Assembly		1008075-01	1	Hopper Support, SS
10	1008082	1	Control Rod	38	1007828	2	Handle Knob
11	1007794	2	Brace, Cross	39	SL-HP-1113-1	1	Rate Gate & Dial Assembly
12	1008085	1	Axle	40	05-90-0065	1	3/16 x 1-3/4" Clevis Pin
13	1008104	1	Screen	41	05-92-0004	3	Flat Washer, SS
14	SS-92-0002	2	Felt Washer	42	05-95-0016-JD	2	Wheel
15	05-94-0078	1	Pine Tree Clip	43	05-90-0040	1	Rue Ring Locking Pin
16	SS-96-0003	1	Agitator Wire	44	SS-94-0007	1	Hopper Bottom Bearing
17	05-94-0043	1	Accuway Diffuser	45	SS-90-0002	1	1/8 x 7/8" Roll Pin
18	05-94-0064	6	Nylon Washer	46	SS-94-0012-1	1	Spinner
19	1008169	1	Cover	47	05-99-0063	1	On-off Decal
20	1008192	1	Manual for push spreader	48	SS-90-0001	1	1/8 x 3/4" Roll Pin
21	05-44-2210	1	Accuway Screw Assembly	49	05-90-0093	2	5/8" Gearbox Bushing
22	05-71-2205	1	Hopper Bottom Plate	50	05-90-0094	2	3/8" Spinner Shaft Bushing
23	SS-94-0006	1	Dial	51	05-90-0096	1	3/16 x 1" Dowel Pin, SS
24	1008431-01	1	Rate Gate Link, Polished	52	05-94-0033	1	Bevel Gear
25	05-80-0030-R	1	Hopper, Black Plastic	53	05-94-0034	1	Pinion Gear
		1	Hopper, SS	54	05-288-1027	1	Nylon Pin Retainer
26	05-90-0017	2	1/4-20 x 2-3/4" Hex Bolt, SS	55	05-90-0097	8	#10-24 x 5/8" Flange Head Bolt, SS
27	05-90-0047	2	1/4-20 x 1" Hex Bolt, SS	56	05-91-0008	8	#10-24 Nylon Locknut, SS
28	05-90-0080	8	1/4-20 x 1-3/4" Hex Bolt, SS	57	05-94-0037	1	Gear Box Cover Front
29	05-94-0022	2	Handle Grips	58	05-94-0038	1	Gear Box Cover Rear
30	05-94-0042	2	Rate Gate/Accuway Guide	59	05-98-0111	1	Grease Zerk 1/4-28
31	99-10-0205	5	1/4-20 x 1/2" Hex Bolt, SS	60	05-93-0075	1	Spyker Accuway Label
				61	F-283	2	Axle Bearing
				62	SS-92-0002	4	Felt Washer (For Stainless Hopper Only)

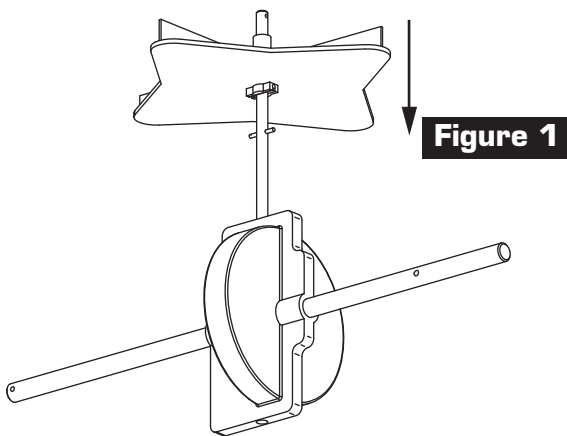


Figure 1

1. Push Spreading Spinner onto Spinner Shaft as shown in Figure 1. Make sure Roll Pin in Spinner Shaft engages with slot in Spinner.

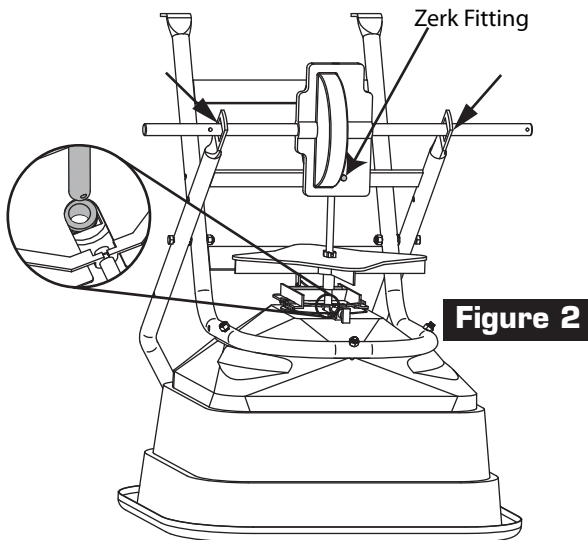


Figure 2

2. Insert Axle Assembly into the square holes on the Axle Support as shown in Figure 2.
NOTE: Zerk Grease fitting on Transmission housing must be facing forward.
 Align Spinner shaft with Spinner Shaft Bearing on bottom of hopper and slide through.

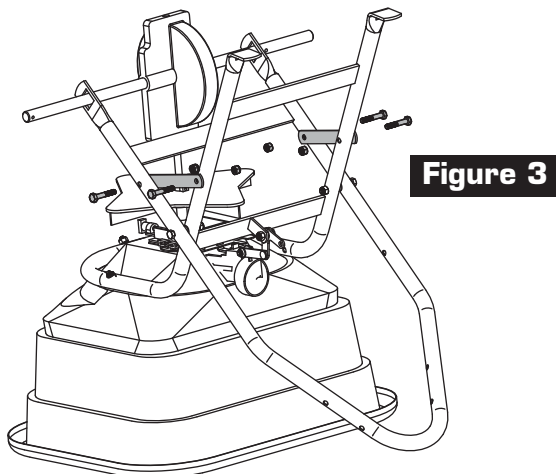


Figure 3

3. Align the Cross Braces to the Hopper and Axle Supports as shown in Figure 3. Using (4) 1-1/2" Bolts and Nylon Locknuts, assemble Cross Braces. Tighten Cross Brace Bolts securely.

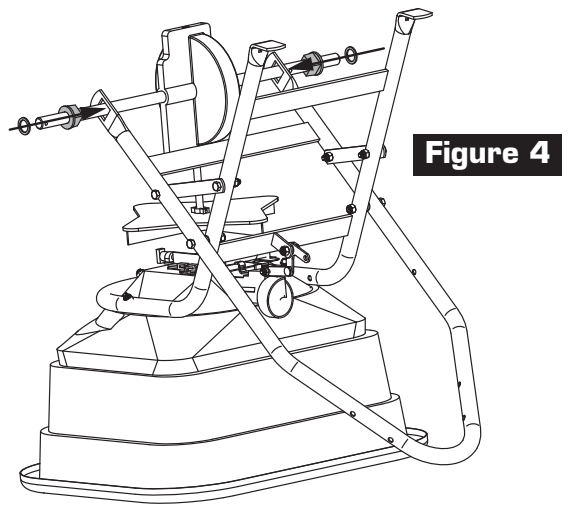


Figure 4

4. Install both Axle Bearings into the square holes as shown in Figure 4. Install one Washer onto each side of Axle.

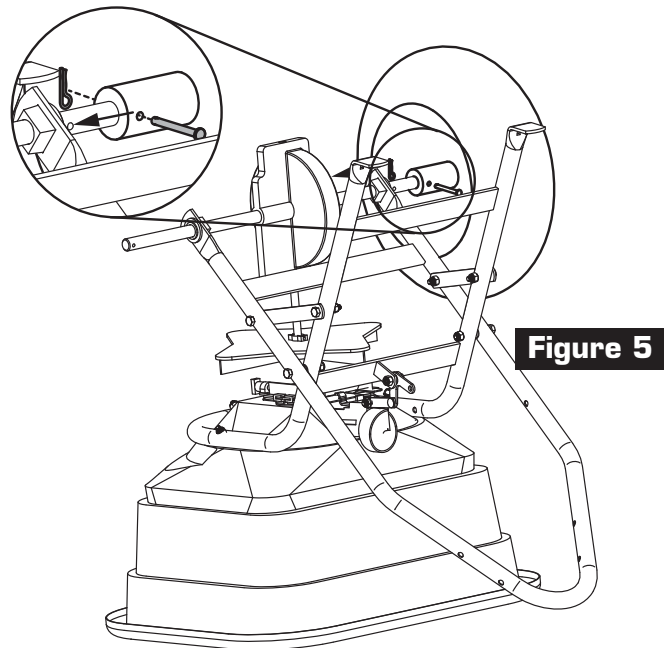


Figure 5

5. Locate the hole on Axle closest to the Axle Bearing and Washer. Install Wheel (valve stem out) onto Axle as shown in Figure 5. Line up the hole on the wheel with hole on the Axle shaft. Push Clevis Pin through the hole and pin in place using the Hair Pin.

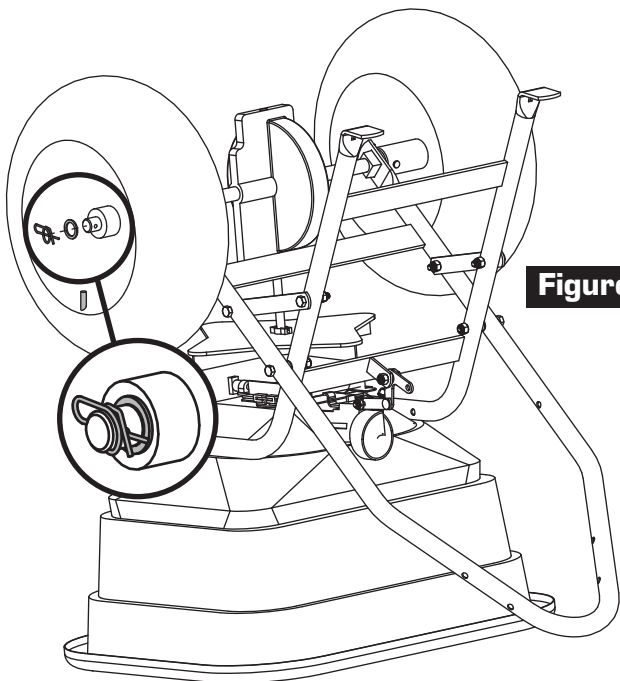


Figure 6

6. Install Wheel on the opposite side of the Axle (valve stem out) until it touches Axle Bearing and Washer.
 Install Washer onto the Axle.
 Push Rue Ring Locking Pin through Axle hole.
NOTE: Rue Ring Locking Pin will snap into position as shown in Figure 6. Turn Spreader assembly over and place on ground.

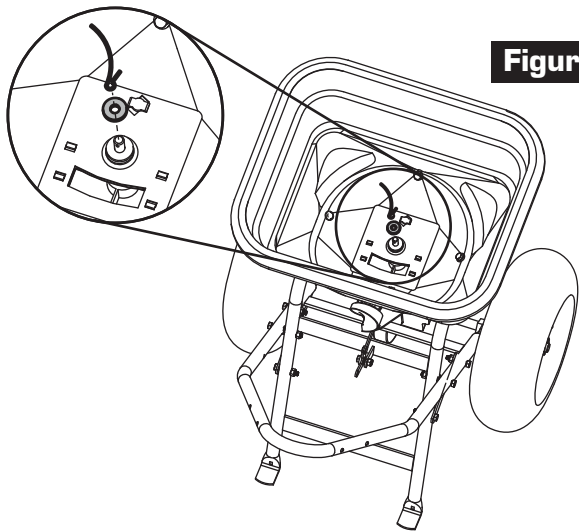


Figure 7

7. Inside the hopper, assemble the Felt Washer and Agitator Wire onto the Spinner Shaft as shown in Figure 7.
NOTE: Notice orientation and sweep of Agitator Wire (Shown in Figure 7)

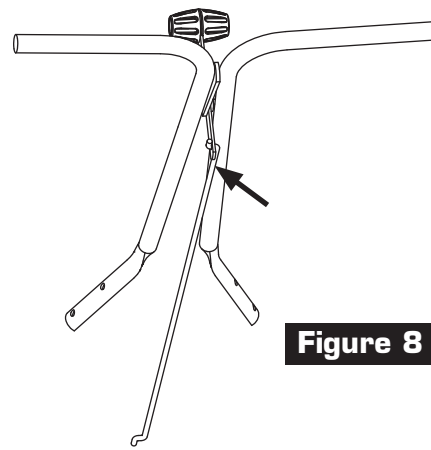


Figure 8

8. Install Linkage to Lever as shown in Figure 8.

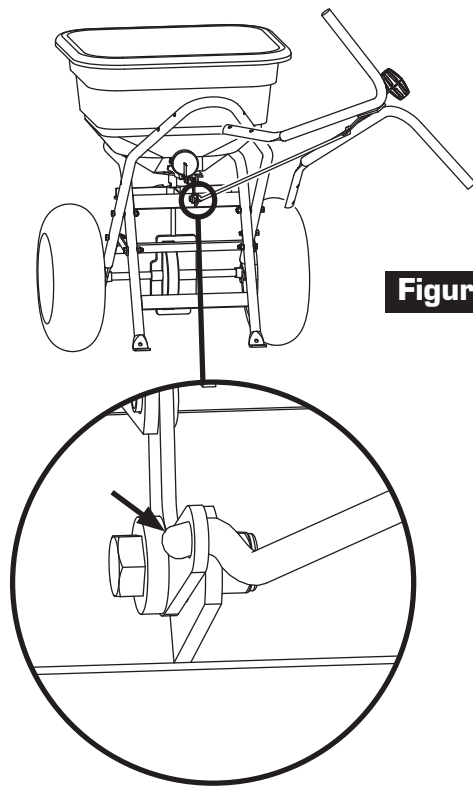


Figure 9

9. Turn Handle Assembly sideways and install Linkage into Rate Gate Lever as shown in Figure 9.

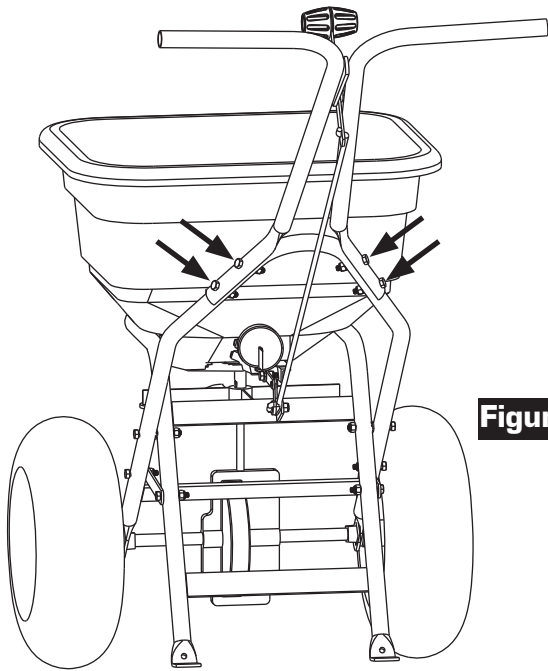


Figure 10

10. Attach Handle Assembly to Frame using (4) 1/4 x 1-3/4" Bolts and 1/4" Nylon Locknuts as shown in Figure 10.

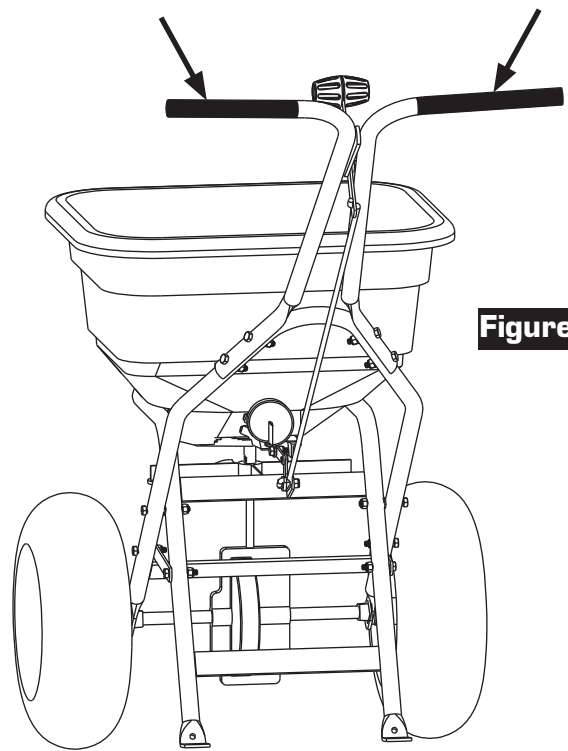


Figure 11

11. Install Handle Grips on Handles of Spreader as shown in Figure 11.

READ BEFORE USING

OPERATE SAFELY

Keep bystanders away when you operate this machine.

Use this machine for intended purpose only.

Do not let children or an untrained person operate machine.

Keep all parts in good condition and properly installed. Fix damaged parts immediately. Replace worn or broken parts.

Do not modify the machine or safety devices. Unauthorized modifications to the machine may impair its function and safety, and void the warranty.

Do not let anyone sit or ride on equipment during operation. Keep riders off attachment.

Wear substantial footwear and long trousers. Do not operate the equipment when barefoot or wearing open sandals.

Do not wear loose fitting clothing that can get caught in moving parts.

Always wear eye protection when operating the equipment.

Stay alert for holes in the terrain and other hidden hazards.

Watch out for traffic when crossing or near roadways.

Before you operate any feature of this machine, observe your surroundings and look for bystanders.

Always wash hands after contact with fertilizers and pesticides.

Keep all nuts, bolts and screws tight to be sure the equipment is in safe working condition.

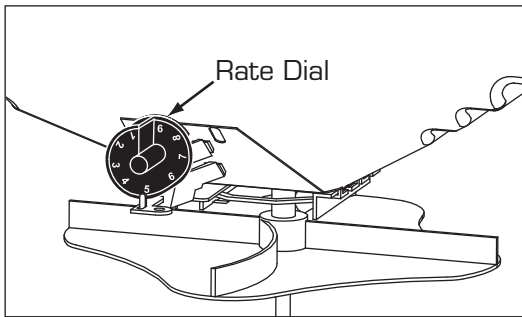
READ BEFORE USING

Become Familiar With The Operation Of The Spreader Before You Put Material In The Hopper

- Practice walking with the spreader, opening and closing the rate gate at the appropriate times.
- Travel at a constant speed and operate the spreader lever position. Remember: Open the rate gate after the spreader is in motion at operating speed (about 3 mph, or at a brisk walking pace).
- Close the rate gate while spreader is still at operational speed.

Dial Setting Information

The RATE DIAL has 9 numbers with 10 stops between each number. This allows for accurate control of the spreading rate. The dial is set with only a turn, it will automatically lock into the set position. LINE UP THE DIAL NUMBER WITH THE DIAL INDICATOR.



- The spread width ranges from 4 - 12 ft. wide depending on the volume/density, particle size of the material, and rate of travel.
- The spread thins or feathers at the outer edges, eliminating sharp, "Edge Of Spread" lines which cause stripes and streaks. Extra coverage can be given under trees and other heavy feeding areas without showing "Edge Of Spread" lines.
- Gaps and double overlaps are less likely. Small errors in travel are forgiven and do not show.

WARNING: When spreading products containing herbicides, exercise extreme caution with respect to careless spreading and to wind-drift.

Contact Of Some Products On Some Plants Can Be Fatal

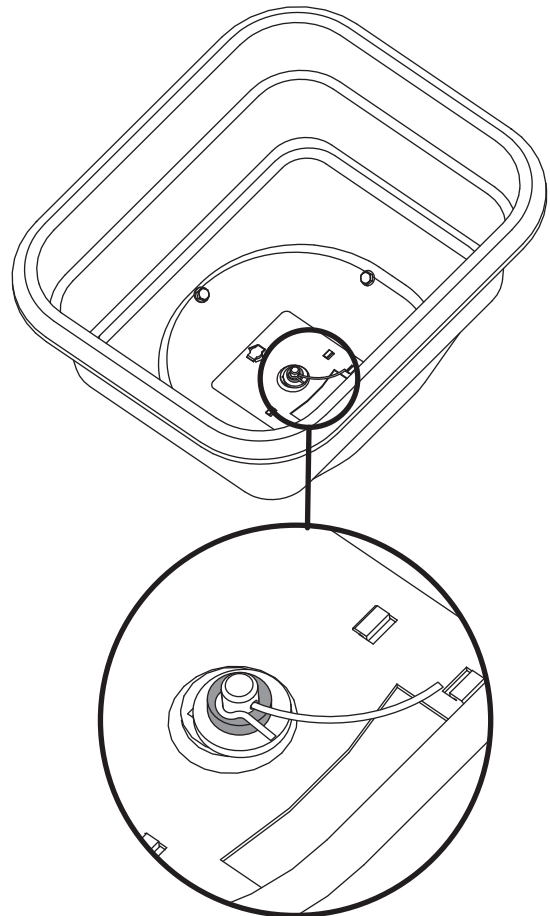
If a dial setting is not found, use the size and weight comparison table found in this manual. Determine a

dial setting on the low side. If the setting proves to be too low, cover the area more than one time. A higher setting can be used when a proven dial setting is established.

Remember: Published dial settings are approximate only. The operation of the spreader, the condition of the material (damp or dry or over-pulverized) and weather conditions, are all contributing factors. For these reasons, it is often a good idea to spread the area 2 times - or one-half rate - in cross directions (SEE INFORMATION ON ONE-HALF RATE DIAL SETTINGS). One-half rate dial settings are highly recommended under damp and humid conditions.

Rotary Agitator

Use the rotary agitator only if needed. Free-flowing, lump-free materials will not require the agitator. The rotary agitator is easily installed or removed. Note the clockwise rotation and sweep. Place felt washer around spinner shaft before inserting agitator.



READ BEFORE USING

Now You Are Ready To Put Material In The Hopper

WARNING: Avoid Injury! Chemicals can be dangerous. Avoid injury to operators or bystanders.

- Make sure the rate gate is in the closed position.
- Read chemical container label for handling instructions. A Material Safety Data Sheet (MSDS) should be supplied by the chemical dealer and provides proper safety information.
- Wear proper clothing and safety equipment while handling or applying chemicals.
- Prohibit all smoking, drinking, and eating around chemicals.
- When spreading products containing herbicides, exercise extreme caution with respect to careless spreading and to wind-drift. Contact Of Some Products On Some Plants Can Be Fatal.
- Fill the spreader on a flat, level surface only. Fill on sidewalk, driveway, cardboard, etc. to avoid material loss.
- When filling hopper with material, always use screen to help break up clumps.

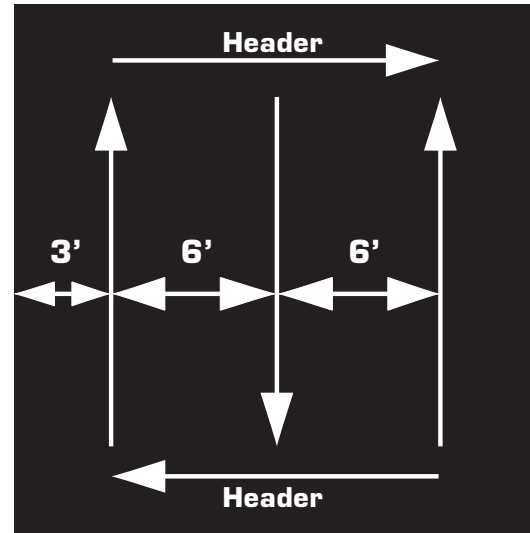
Now You Are Ready To Spread

- Keep spinner blade clean. Excess material build-up can cause an uneven spread pattern.
- Keep the impeller level when spreading.
- DO NOT overload. Maximum capacity of 8020 Series is 80 lbs. Maximum capacity of 9020 Series is 110 lbs.
- DO NOT use on windy days.
- Spread header strips at the ends of the area OPPOSITE of the direction of spreading. This will provide a "turn-around" area, an area to re-align the spreader for the return spread.
- Example shown is for 6 ft. wide spread. Make the first spread pass at one-half the spread width from the edge of the spreading area or in this case, approximately 3 feet (or one big step).
- Additional spreading passes will be at the full spread width or approximately 6 ft. apart.
- TAKE A SIGHTING AT THE FAR END. Keep your eye on the sighting as you spread. You will not need

to wonder where you are or where you have been. Continue until spreading is completed.

- Left over fertilizer can be spread under trees and other high feeding areas without showing "edge of spread" lines.

Tip: When not spreading, and if pushing the spreader some distance, tip the spreader so only the idle wheel is on the ground.



Cleaning The Spreader Is Part Of The Spreading Job

Clean and oil spreader immediately after each use.

Method #1 - Wipe spreader thoroughly with an oily cloth. Oil all bearings and bearing areas.

Method #2 - Wash, rinse, and dry the spreader. Note: Drying takes time. Moisture trapped in bearing areas is slow to go. Immediately after drying - oil all bearings and moving parts. Make certain all operations are thorough.

NOTE: Good "Dry Cleaning" is preferable to poor "Wet Cleaning".

- It is virtually impossible to have rust and corrosion on a clean, dry, oiled surface.
- Again - just before using - oil all bearings and moving parts.
- In storage, ideally the spreader should be hung by the handle. In any case, do not pile weight on the spreader, as excess weight over a period of time can distort the tires.

Oil Bearings And All Moving Parts

Make sure the spreader is running freely!

NOTE: Dial Settings Are Approximate Only !			Dial Settings Full Rate Once Over ↑ ↓		Dial Settings Half Rate Twice Over ↕ ↔	
Product	Particle Size	Lbs. per 1000 sq. ft.				
Fine Pellets		1	3.6		3.1	
		2	4.0		3.5	
		3	4.2		3.7	
Mixed Fine Pellets		2	3.7		3.2	
		4	4.7		4.1	
		6	5.2		4.5	
Small Pellets		2	3		2.2	
		4	4.2		3.7	
		6	4.5		4	
Nitrogen Pellets Medium Size		1	3.5		3	
		2	4.2		3.7	
		3	4.7		4	
Medium Pellets And Granuals		2	3.5		3	
		4	4.2		3.8	
		6	5.2		4.5	
Large Heavy Pellets		2	3.8		3.3	
		4	4.9		4.1	
		6	5.9		4.9	

GRASS SEED SPREADING CHART					
Product	Bag Weight	Sq. Ft. Coverage	Dial Setting Full Rate	Dial Setting Half Rate	Spread Width
Blue Grass or Red Top	.5 lbs.	1,000	1.25		4
	1 lbs.	1,000	2.0		4
	2 lbs.	1,000	2.5		4
Park, Merion, Delta, or Kentucky Bluegrass	.5 lbs.	1,000	2.5		4
	1 lbs.	1,000	3.0		4
	2 lbs.	1,000	3.5		4
Hulled Bermuda	2 lbs.	1,000	2.75	2.25	6
	3 lbs.	1,000	3.0	2.5	6
	4 lbs.	1,000	3.25	2.75	6
Mixtures Including Coarse Seeds	2 lbs.	1,000	6.0		6
	4 lbs.	1,000	7.0		6
	6 lbs.	1,000	7.0		6
Rye Grasses or Tall Fescue	2 lbs.	1,000	6.0		6
	4 lbs.	1,000	7.0		6
	6 lbs.	1,000	7.75		6
Dichondra	4 oz.	1,000	1.9		8
	8 oz.	1,000	2.1		8
	12 oz.	1,000	2.5		8
Pensacola Bahia	4 lbs.	1,000	4.5	3.75	7
	5 lbs.	1,000	4.75	4.0	7
	6 lbs.	1,000	5.0	4.25	7

TROUBLESHOOTING

Spreader does not sit flat	The "feet" or the flattened portion of the spreader hopper support tubes are not bent equally.	Using a hammer or pliers, bend the feet to be equal with each other.
Deflector shut off is binding and will not open/close properly	Shut off plate is jammed with debris.	Thoroughly wash out hopper and shut off plates with water. Ensure debris is not stuck between shut off plate and rate gate plate.



1 YEAR LIMITED WARRANTY

This is warranted to the original purchaser only. Spyker will replace parts with defects in materials and workmanship, for a period of one year from the date of purchase.

For Spyker Spreaders—a Brinly-Hardy Company, products employing metal gear systems, pinion and bevel, these metal gears, only, not inclusive of any other parts or materials, are warranted for the life of the spreader, not to be used for replacement or repair past original purchase.

Spyker Spreaders will not be liable for any loss, damage or expense including, but not limited to, consequential or incidental damages, arising from the operation, condition or use of the item. The sole and exclusive remedy against Spyker Spreaders being the replacement of the defective parts. This warranty gives you specific legal rights, and you may also have other rights which vary from state to state.

This express warranty, which is applicable only to the original purchase, is in lieu of and excludes all other warranties, whether expressed or implied by operation of law or otherwise, including any warranty of merchantability or fitness for particular purpose.

SPYKER SPREADERS
Jeffersonville, IN 47130 USA
Phone: 800.972.6130